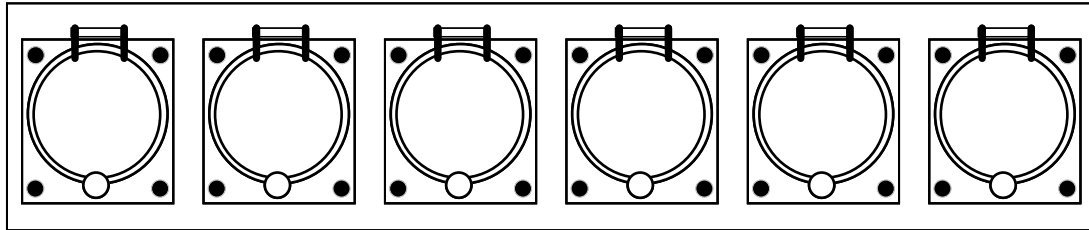


**NON CONTROLLED DOCUMENT WHEN PRINTED**

**REAR**

6 x 16A Outlet  
PCE 163-6x



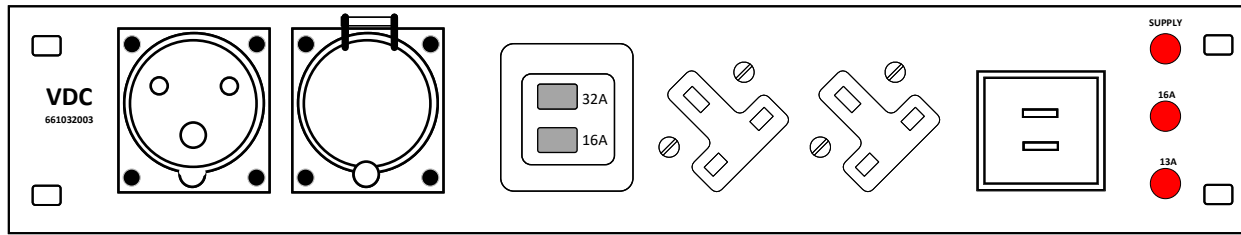
**SPECIFICATIONS**

All sockets / Connectors to be in black  
All internal wiring to be Tri – Rated  
LED's – 8mm hyperbright

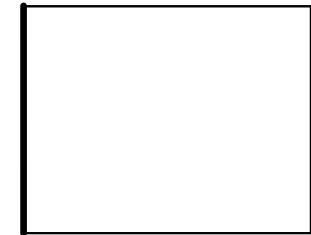
**FRONT**

Flange 70 x 70 fixing  
centres 56 x 56

2U



32A Inlet PCE 623-6x    32A Outlet PCE 323-6x    1 x 16A & 1 x 32A Circuit Breakers with Cover    2 x UK 13A Outlets    Twin USB Type A

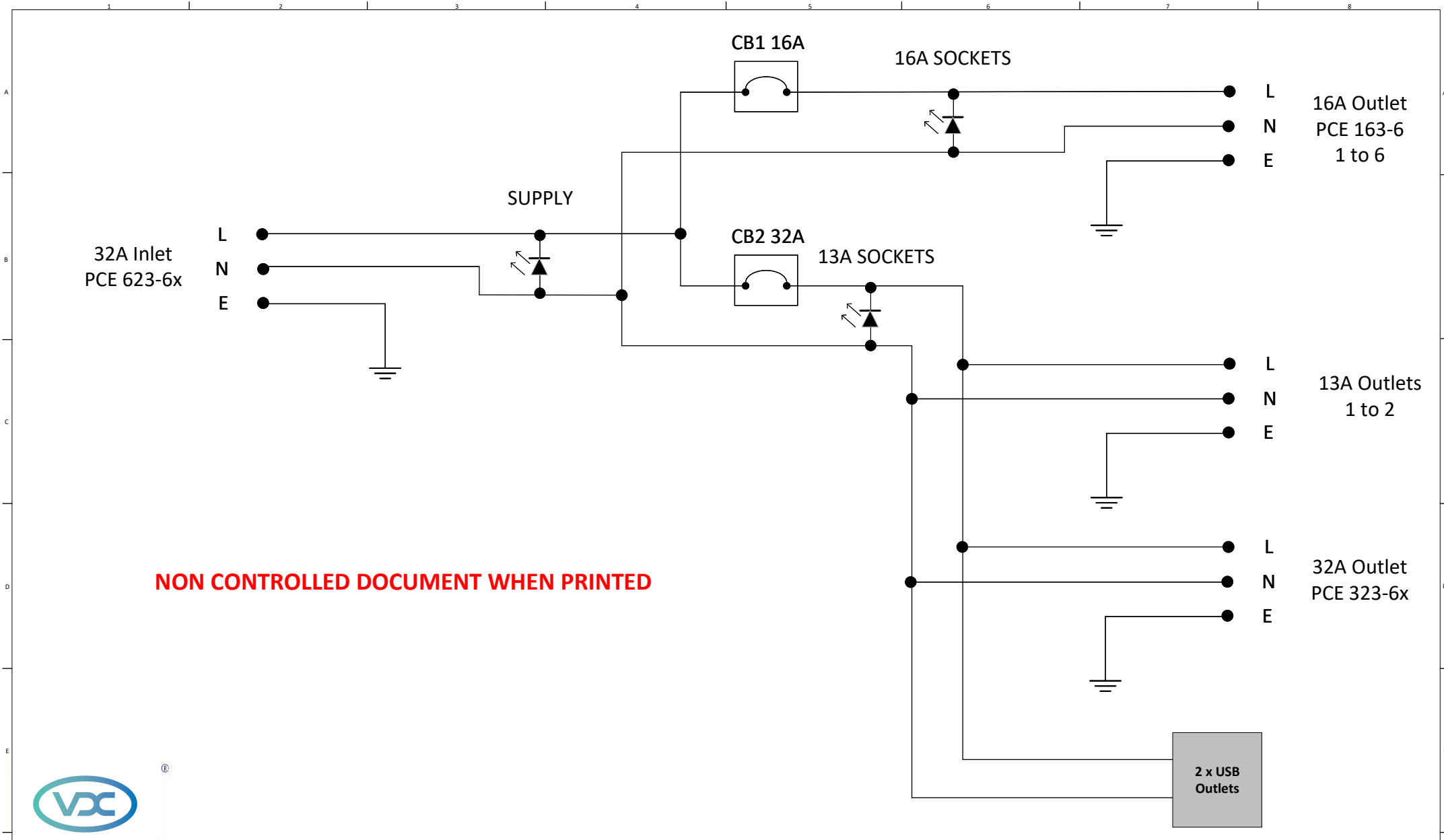


80

16A Circuit Breaker Protects 16A Outlets  
32A Circuit Breaker Protects USB, 13A + 32A Outlets



	Scale: NTS	Unit 5   Bush Industrial Estate   Station Road   London   N19 5UN   UK   T +44 (0) 207 7700 2777   W www.vdctrading.com			DRG. No.	ISSUE	
	1ST ANGLE PROJ.	DESCRIPTION: 19" Rack 2U 32 I/P 32A O/P 16A & 32A CB 2 x UK Outlets 2 x USB 6 X 16A O/P's				661032003	02
Drawn: VDC Technical	Date: 25/05/23						
Approved:	Date: 25/05/23	Material:	Colour: Black				
ALL DIMENSIONS IN MILLIMETERS UNLESS OTHERWISE STATED				X = +/-1	X.X = +/- 0.3	X.XX = +/- 0.05	
Modification: 02 – Layout Updated							
THIS DRAWING IS THE PROPERTY OF VDC TRADING LTD AND MUST NOT BE LENT OR COPIED WITHOUT THE COMPANY'S WRITTEN PERMISSION. © VDC TRADING LTD.							



**NON CONTROLLED DOCUMENT WHEN PRINTED**



	Scale: NTS	Unit 5   Bush Industrial Estate   Station Road   London   N19 5UN   UK   T +44 (0) 207 7700 2777   W www.vdctrading.com			DRG. No.	ISSUE	
1ST ANGLE PROJ.	Date: 25/05/23	DESCRIPTION: 19" Rack 2U 32 I/P 32A O/P 16A & 32A CB 2 x UK Outlets 2 x USB 6 X 16A O/P's				661032003	02
Drawn: VDC Technical	Date: 25/05/23	Material:	Colour: Black				
Approved:	Date: 25/05/23		X = +/-1	X.X = +/- 0.3	X.XX = +/- 0.05		
ALL DIMENSIONS IN MILLIMETERS UNLESS OTHERWISE STATED							
Modification:							
THIS DRAWING IS THE PROPERTY OF VDC TRADING LTD AND MUST NOT BE LENT OR COPIED WITHOUT THE COMPANY'S WRITTEN PERMISSION. © VDC TRADING LTD.							