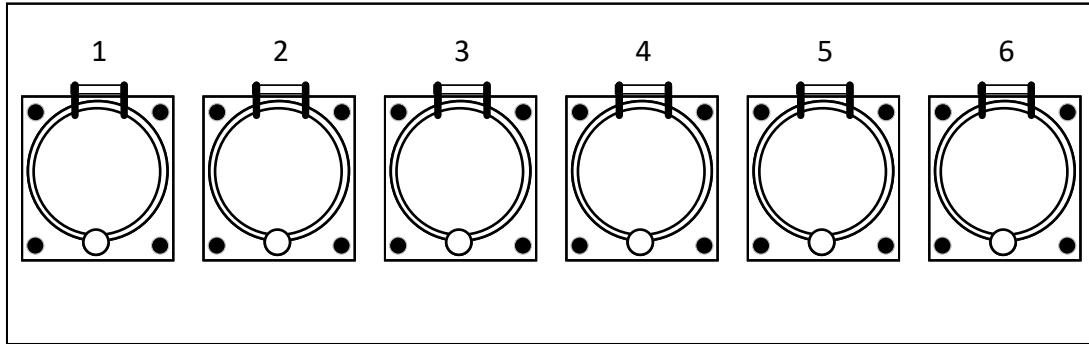


**NON CONTROLLED DOCUMENT WHEN PRINTED**

6 x 16A Outlet  
PCE 163-6x

REAR



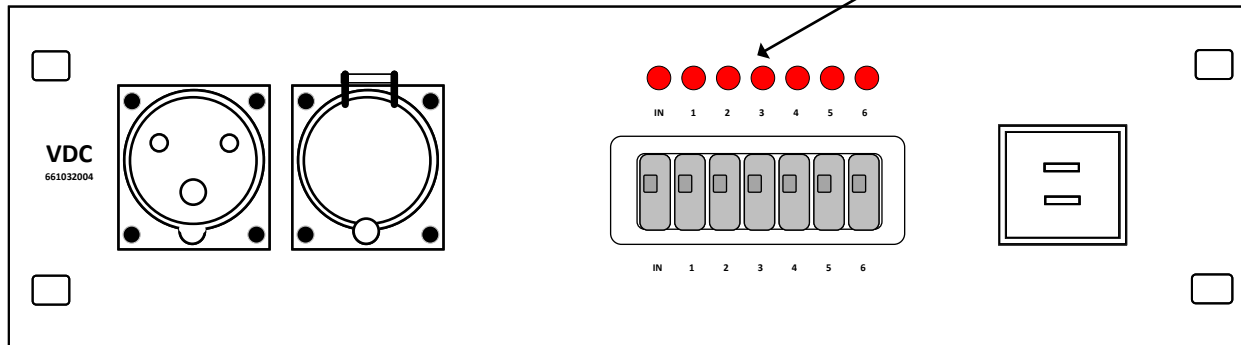
**SPECIFICATIONS**

All sockets / Connectors to be in black  
All internal wiring to be Tri – Rated  
LED's – 12mm hyperbright  
Silk Screen Front & Back

Flange 70 x 70 fixing  
centres 56 x 56

FRONT

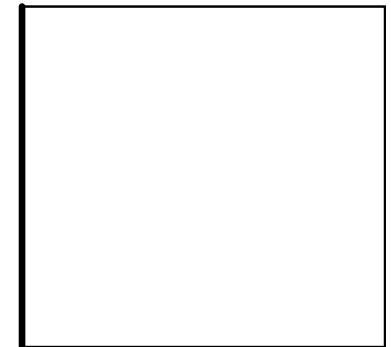
3U



32A Inlet PCE 623-6x  
32A Outlet PCE 323-6x

7 x Circuit Breakers with Cover  
In 32A 1 – 6 Out 16A

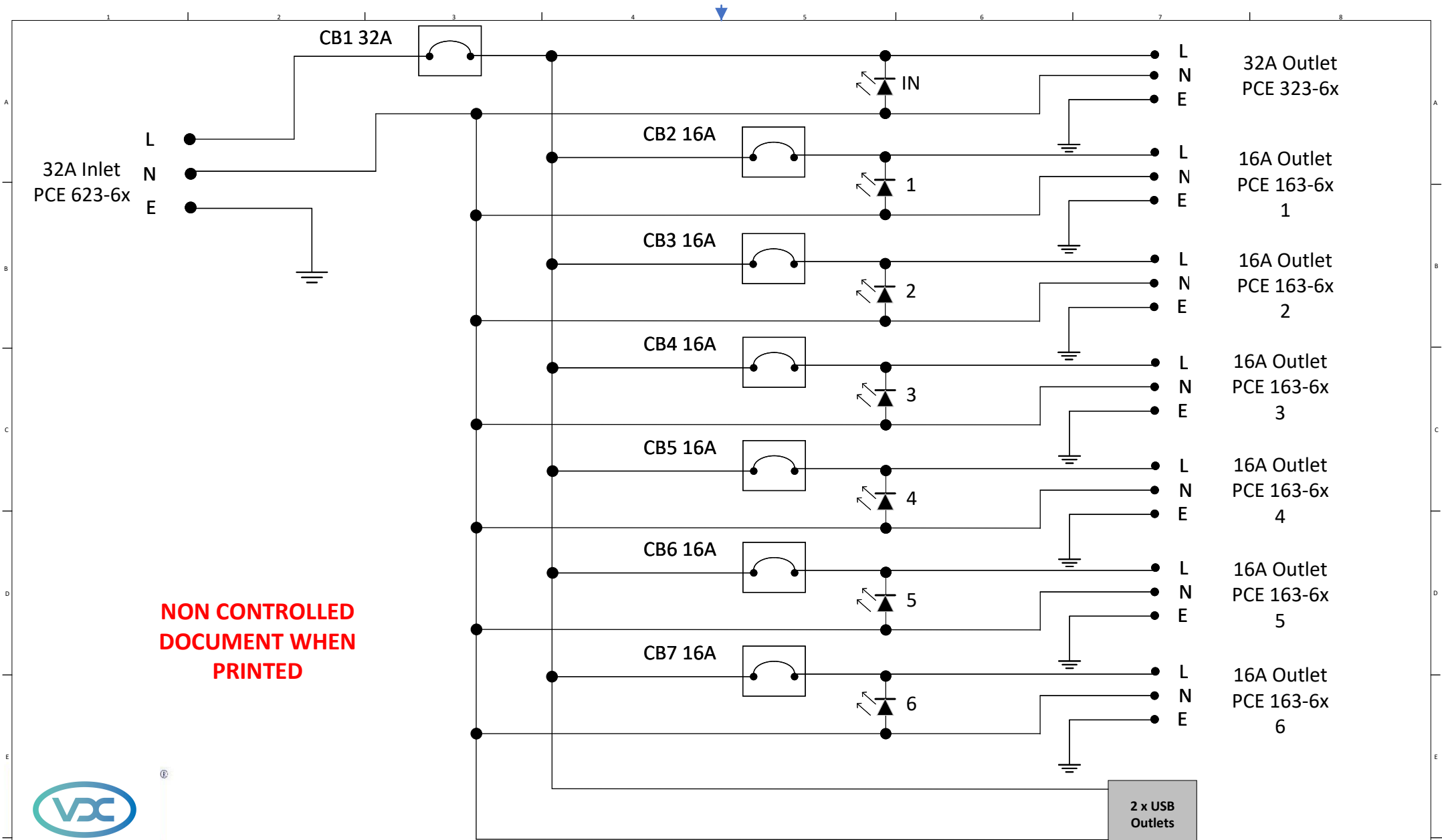
Twin USB  
Type A



80



	Scale: NTS	Unit 5   Bush Industrial Estate   Station Road   London   N19 5UN   UK   T +44 (0) 207 7700 2777   W www.vdctrading.com			DRG. No.	ISSUE
	1ST ANGLE PROJ.	DESCRIPTION: 19" Rack 2U 32 I/P 32A O/P 16A & 32A CB 6 X 16A O/P's + 2 x USB				661032004
Drawn: VDC Trading	Date: 25/05/23					
Approved:	Date: 25/05/23	Material:	Colour: Black			
ALL DIMENSIONS IN MILLIMETERS UNLESS OTHERWISE STATED		X = +/-1	X.X = +/- 0.3	X.XX = +/- 0.05		
Modification: 02 – Layout updated						
THIS DRAWING IS THE PROPERTY OF VDC TRADING LTD AND MUST NOT BE LENT OR COPIED WITHOUT THE COMPANY'S WRITTEN PERMISSION. © VDC TRADING LTD.						



**NON CONTROLLED  
DOCUMENT WHEN  
PRINTED**



		Scale: NTS			Unit 5   Bush Industrial Estate   Station Road   London   N19 5UN   UK   T +44 (0) 207 7700 2777   W www.vdctrading.com			DRG. No.		ISSUE	
<b>1ST ANGLE PROJ.</b>		Date: 25/05/23		<b>DESCRIPTION: 19" Rack 2U 32 I/P 32A O/P 16A &amp; 32A CB 6 X 16A O/P's</b>					<b>661032004</b>		<b>02</b>
Drawn: VDC Trading		Date: 25/05/23		Material:			Colour: Black				
Approved:		Date: 25/05/23		Material:			Colour: Black				
ALL DIMENSIONS IN MILLIMETERS UNLESS OTHERWISE STATED				X = +/-1	X.X = +/- 0.3	X.XX = +/- 0.05					
Modification:											
THIS DRAWING IS THE PROPERTY OF VDC TRADING LTD AND MUST NOT BE LENT OR COPIED WITHOUT THE COMPANY'S WRITTEN PERMISSION. © VDC TRADING LTD.											