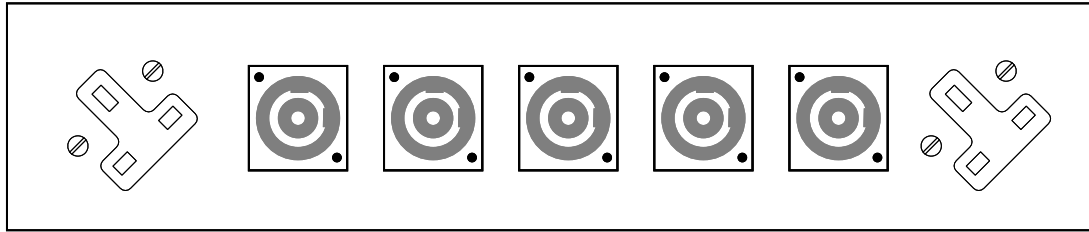


REAR

UK 13A  
Outlets

5 x Neutrik 20A  
Outlets  
NAC3MPXXB-WOT

UK 13A  
Outlets



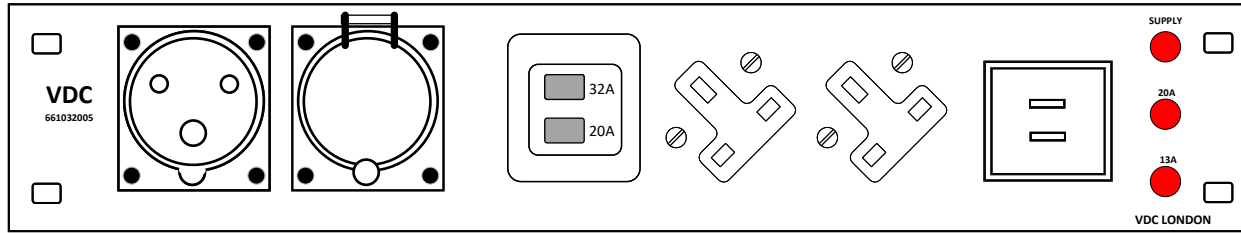
**SPECIFICATIONS**

All sockets / Connectors  
to be in black  
All internal wiring to be  
Tri – Rated  
LED's – 8mm hyperbright

FRONT

Flange 70 x 70 fixing  
centres 56 x 56

2U



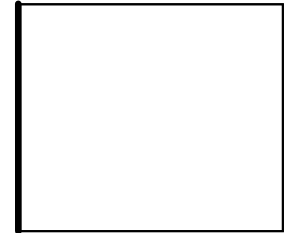
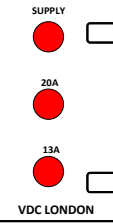
32A Inlet  
PCE 623-6x

32A Outlet  
PCE 323-6x

1 x 20A & 1 x  
32A Circuit  
Breakers  
with Cover

2 x UK 13A  
Outlets

Twin USB  
Type A

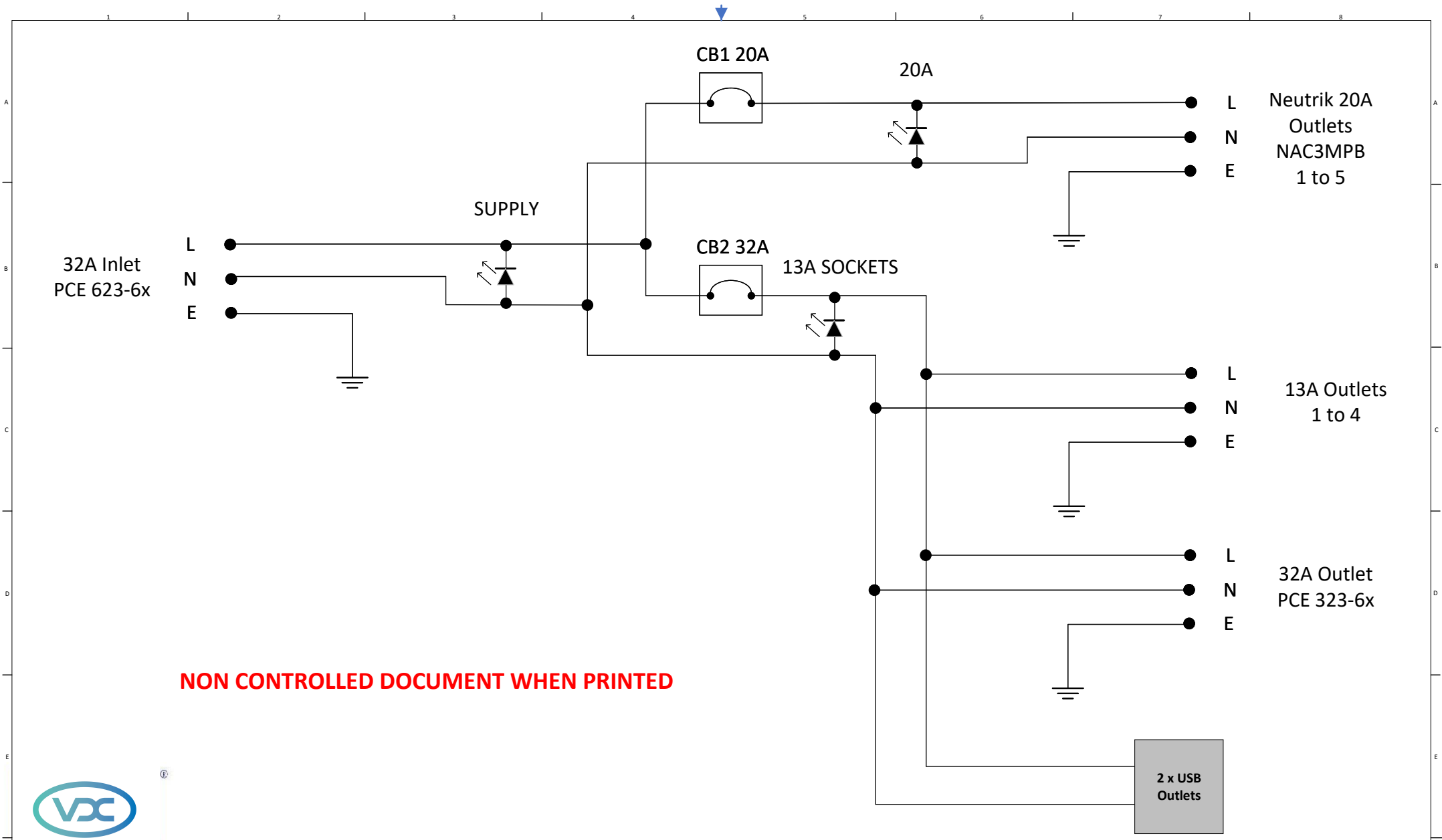


80

20A Circuit Breaker Protects Neutrik Outlets  
32A Circuit Breaker Protects USB + 13A Outlets



	Scale: NTS	Unit 5   Bush Industrial Estate   Station Road   London   N19 5UN   UK   T +44 (0) 207 7700 2777   W www.vdctrading.com			DRG. No.	ISSUE
1ST ANGLE PROJ.		DESCRIPTION: 19" Rack 2U 32 I/P 32A O/P 20A & 32A CB 4 x UK Outlets 2 x USB 5 X 20A			661032005	02
Drawn: VDC Technical	Date: 25/05/23	Powercom				
Approved:	Date: 25/05/23	Material:		Colour: Black		
ALL DIMENSIONS IN MILLIMETERS UNLESS OTHERWISE STATED				X = +/-1	X.X = +/- 0.3	X.XX = +/- 0.05
Modification: Layout updated						
THIS DRAWING IS THE PROPERTY OF VDC TRADING LTD AND MUST NOT BE LENT OR COPIED WITHOUT THE COMPANY'S WRITTEN PERMISSION. © VDCTRADING LTD.						



**NON CONTROLLED DOCUMENT WHEN PRINTED**



		Unit 5   Bush Industrial Estate   Station Road   London   N19 5UN   UK   T +44 (0) 207 7700 2777   W www.vdctrading.com			DRG. No.	ISSUE
Scale: NTS	<b>DESCRIPTION: 19" Rack 2U 32 I/P 32A O/P 20A &amp; 32A CB 4 x UK Outlets 2 x USB 5 X 20A</b>				661032005	02
Drawn: VDC Technical	Date: 25/05/23	<b>Powercom</b>		Colour: Black		
Approved:	Date: 25/05/23	Material:				
ALL DIMENSIONS IN MILLIMETERS UNLESS OTHERWISE STATED				X = +/-1	X.X = +/- 0.3	X.XX = +/- 0.05
Modification:						
THIS DRAWING IS THE PROPERTY OF VDC TRADING LTD AND MUST NOT BE LENT OR COPIED WITHOUT THE COMPANY'S WRITTEN PERMISSION. © VDCTRADING LTD.						